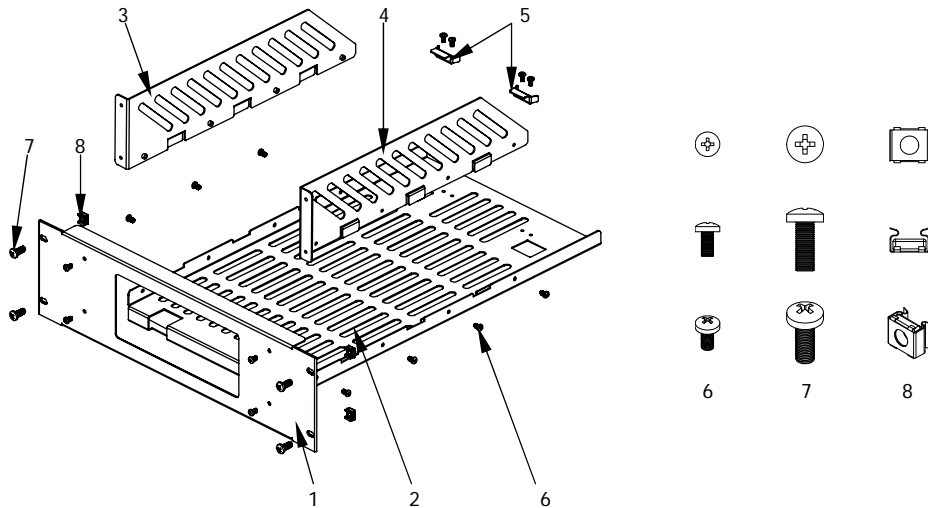


RIGOL DG5000 Rack Mount Kit

This rack mount kit is designed to mount **RIGOL** DG5000 series function/arbitrary waveform generator into a 19-inch cabinet that conforms to the Electronic Industries Association (EIA) standard.

Kit Part Checklist

No.	Name	Qty.	Description
1	Front Plate	1	--
2	Bottom Plate	1	--
3	Left Plate	1	--
4	Right Plate	1	--
5	Retaining Bracket	2	--
6	M4 Screw	16	M4x8 Phillips Pan Head Screw
7	M6 Screw	4	M6x16 Phillips Pan Head Screw
8	M6 Nut	4	M6 Square Lock Cage Nut



Installation Tool

The PH2 Philips screwdriver is recommended.

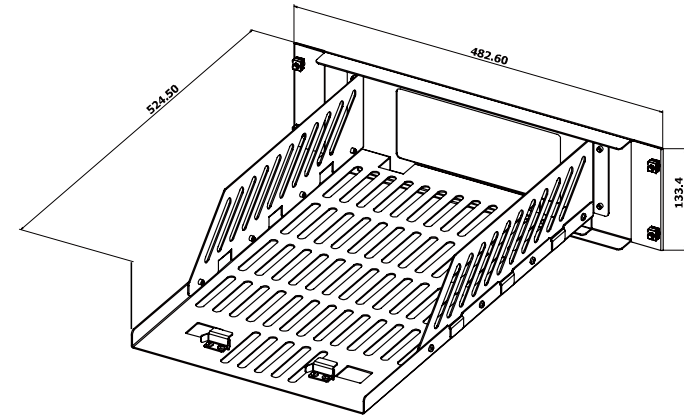
Space Requirements

To mount the instrument into the cabinet correctly, please ensure that the following

requirements are met.

- The cabinet must be a standard 19-inch one.
- The available height of the cabinet should be at least 3U (133.5mm).
- The depth of the cabinet should be at least 600mm.

The dimensions of the rack are as shown below.



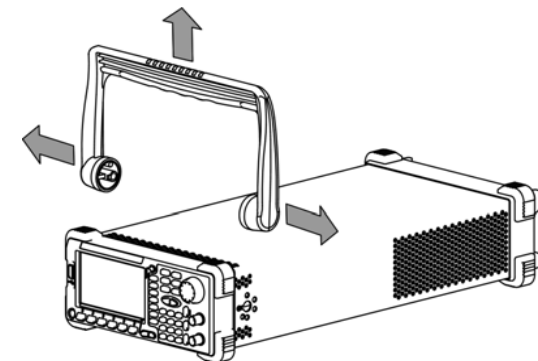
Unit: mm

Installation Procedures

Note: Only authorized operators are allowed to perform the installation. Improper installation might cause damage to the instrument or an installation failure.

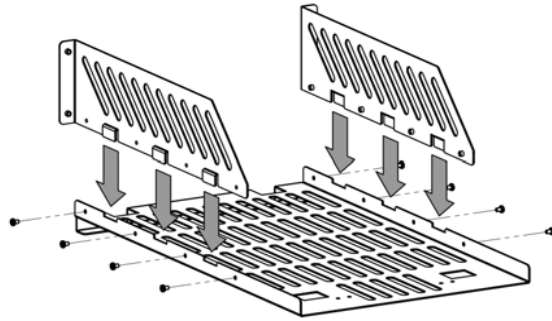
1. Disassemble the handle

Rotate the handle upright. Then, pull it out from the sides of the instrument to remove it.

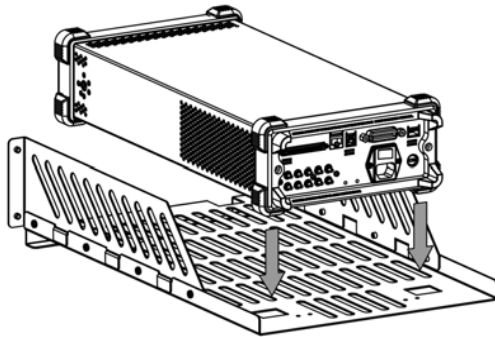


2. Mount the left and right plates

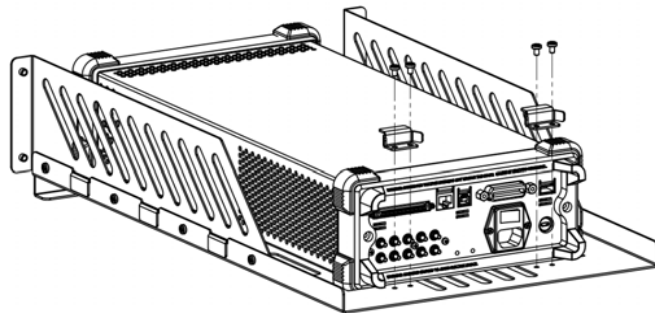
Align the detents of the left and right plates with the openings on both sides of the bottom plate and insert them into the bottom plate, then fasten them using eight M4 screws.

**3. Place the instrument**

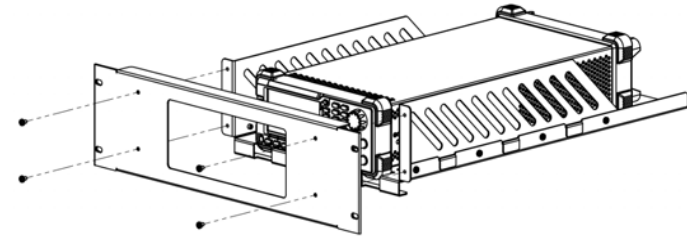
Align the rear rubber pads with the specified slots on the bottom plate and ensure the slots engage the rubber pads.

**4. Fasten the instrument**

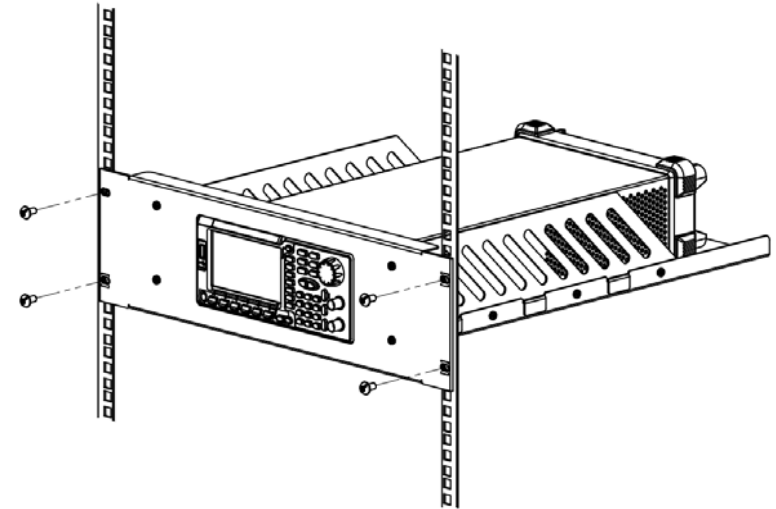
Put two retaining brackets onto the bottom plate and fasten the instrument with four M4 screws.

**5. Mount the front plate**

Attach the front plate to the assembled rack, and fasten the front plate with four M4 screws.

**6. Get encased in the cabinet**

Mount the assembled instrument and rack into a standard 19-inch cabinet using four M6 screws and four M6 square nuts.



-End-