

RIGOL

Service Guide

MSO1000Z/DS1000Z Series Digital Oscilloscope

Nov. 2014
RIGOL Technologies, Inc.

Guaranty and Declaration

Copyright

© 2014 RIGOL Technologies, Inc. All Rights Reserved.

Trademark Information

RIGOL is a registered trademark of RIGOL Technologies, Inc.

Publication Number

SGA19101-1110

Notices

- **RIGOL** products are covered by P.R.C. and foreign patents, issued and pending.
- **RIGOL** reserves the right to modify or change parts of or all the specifications and pricing policies at company's sole decision.
- Information in this publication replaces all previously corresponding material.
- Information in this publication is subject to change without notice.
- **RIGOL** shall not be liable for either incidental or consequential losses in connection with the furnishing, use or performance of this manual as well as any information contained.
- Any part of this document is forbidden to be copied, photocopied or rearranged without prior written approval of **RIGOL**.

Product Certification

RIGOL guarantees this product conforms to the national and industrial standards in China as well as the ISO9001:2008 standard and the ISO14001:2004 standard. Other international standard conformance certification is in progress.

Contact Us

If you have any problem or requirement when using our products or this manual, please contact **RIGOL**.

E-mail: service@rigol.com

Website: www.rigol.com

Safety Requirement

General Safety Summary

Please review the following safety precautions carefully before putting the instrument into operation so as to avoid any personal injury or damage to the instrument and any product connected to it. To prevent potential hazards, please use the instrument only specified by this manual.

Use Proper Power Cord.

Only the power cord designed for the instrument and authorized for use within the local country could be used.

Ground the Instrument.

The instrument is grounded through the Protective Earth lead of the power cord. To avoid electric shock, it is essential to connect the earth terminal of the power cord to the Protective Earth terminal before connecting any inputs or outputs.

Connect the Probe Correctly.

If a probe is used, do not connect the ground lead to high voltage since it has isobaric electric potential as the ground.

Observe All Terminal Ratings.

To avoid fire or shock hazard, observe all ratings and markers on the instrument and check your manual for more information about ratings before connecting the instrument.

Use Proper Overvoltage Protection.

Make sure that no overvoltage (such as that caused by a thunderstorm) can reach the product, or else the operator might be exposed to the danger of electrical shock.

Do Not Operate Without Covers.

Do not operate the instrument with covers or panels removed.

Do Not Insert Anything Into the Holes of Fan.

Do not insert anything into the holes of the fan to avoid damaging the instrument.

Use Proper Fuse.

Please use the specified fuses.

Avoid Circuit or Wire Exposure.

Do not touch exposed junctions and components when the unit is powered.

Do Not Operate With Suspected Failures.

If you suspect damage occurs to the instrument, have it inspected by **RIGOL** authorized personnel before further operations. Any maintenance, adjustment or replacement especially to circuits or accessories must be performed by **RIGOL** authorized personnel.

Keep Well Ventilation.

Inadequate ventilation may cause an increase of instrument temperature which would cause damage to the device. So please keep the instrument well ventilated and inspect the intake and fan regularly.

Do Not Operate in Wet Conditions.

In order to avoid short circuiting to the interior of the device or electric shock, please do not operate the instrument in a humid environment.

Do Not Operate in an Explosive Atmosphere.

In order to avoid damage to the device or personal injuries, it is important to operate the device away from an explosive atmosphere.

Keep Product Surfaces Clean and Dry.

To avoid the influence of dust and/or moisture in the air, please keep the surface of the device clean and dry.

Electrostatic Prevention.

Operate the instrument in an electrostatic discharge protective environment to avoid damage induced by static discharges. Always ground both the internal and external conductors of cables to release static before making connections.

Proper Use of Battery.

If a battery is supplied, it must not be exposed to high temperature or in contact with fire. Keep it out of the reach of children. Improper change of battery (note: lithium battery) may cause explosion. Use **RIGOL** specified battery only.

Handling Safety.

Please handle with care during transportation to avoid damage to buttons, knob interfaces and other parts on the panels.

Safety Terms and Symbols

Terms Used in this Manual. These terms may appear in this manual:



WARNING

Warning statements indicate conditions or practices that could result in injury or loss of life.



CAUTION

Caution statements indicate conditions or practices that could result in damage to this product or other property.

Terms Used on the Product. These terms may appear on the product:

DANGER It calls attention to an operation, if not correctly performed, could result in injury or hazard immediately.

WARNING It calls attention to an operation, if not correctly performed, could result in potential injury or hazard.

CAUTION It calls attention to an operation, if not correctly performed, could result in damage to the product or other devices connected to the product.

Symbols Used on the Product. These symbols may appear on the product:



Hazardous Voltage



Safety Warning



Protective Earth Terminal



Chassis Ground



Test Ground

Allgemeine Sicherheits Informationen

Überprüfen Sie die folgenden Sicherheitshinweise sorgfältig um Personenschäden oder Schäden am Gerät und an damit verbundenen weiteren Geräten zu vermeiden. Zur Vermeidung von Gefahren, nutzen Sie bitte das Gerät nur so, wie in diesem Handbuch angegeben.

Um Feuer oder Verletzungen zu vermeiden, verwenden Sie ein ordnungsgemäßes Netzkabel.

Verwenden Sie für dieses Gerät nur das für ihr Land zugelassene und genehmigte Netzkabel.

Erden des Gerätes.

Das Gerät ist durch den Schutzleiter im Netzkabel geerdet. Um Gefahren durch elektrischen Schlag zu vermeiden, ist es unerlässlich, die Erdung durchzuführen. Erst dann dürfen weitere Ein- oder Ausgänge verbunden werden.

Anschluss eines Tastkopfes.

Die Erdungsklemmen der Sonden sind auf dem gleichen Spannungspegel des Instruments geerdet. Schließen Sie die Erdungsklemmen an keine hohe Spannung an.

Beachten Sie alle Anschlüsse.

Zur Vermeidung von Feuer oder Stromschlag, beachten Sie alle Bemerkungen und Markierungen auf dem Instrument. Befolgen Sie die Bedienungsanleitung für weitere Informationen, bevor Sie weitere Anschlüsse an das Instrument legen.

Verwenden Sie einen geeigneten Überspannungsschutz.

Stellen Sie sicher, daß keinerlei Überspannung (wie z.B. durch Gewitter verursacht) das Gerät erreichen kann. Andernfalls besteht für den Anwender die Gefahr eines Stromschlages.

Nicht ohne Abdeckung einschalten.

Betreiben Sie das Gerät nicht mit entfernten Gehäuse-Abdeckungen.

Betreiben Sie das Gerät nicht geöffnet.

Der Betrieb mit offenen oder entfernten Gehäuseteilen ist nicht zulässig. Nichts in entsprechende Öffnungen stecken (Lüfter z.B.)

Passende Sicherung verwenden.

Setzen Sie nur die spezifikationsgemäßen Sicherungen ein.

Vermeiden Sie ungeschützte Verbindungen.

Berühren Sie keine unisolierten Verbindungen oder Baugruppen, während das Gerät in Betrieb ist.

Betreiben Sie das Gerät nicht im Fehlerfall.

Wenn Sie am Gerät einen Defekt vermuten, sorgen Sie dafür, bevor Sie das Gerät wieder betreiben, dass eine Untersuchung durch **RIGOL** autorisiertem Personal durchgeführt wird. Jedwede Wartung, Einstellarbeiten oder Austausch von Teilen am Gerät, sowie am Zubehör dürfen nur von **RIGOL** autorisiertem Personal durchgeführt werden.

Belüftung sicherstellen.

Unzureichende Belüftung kann zu Temperaturanstiegen und somit zu thermischen Schäden am Gerät führen. Stellen Sie deswegen die Belüftung sicher und kontrollieren regelmäßig Lüfter und Belüftungsöffnungen.

Nicht in feuchter Umgebung betreiben.

Zur Vermeidung von Kurzschluß im Geräteinneren und Stromschlag betreiben Sie das Gerät bitte niemals in feuchter Umgebung.

Nicht in explosiver Atmosphäre betreiben.

Zur Vermeidung von Personen- und Sachschäden ist es unumgänglich, das Gerät ausschließlich fernab jedweder explosiven Atmosphäre zu betreiben.

Geräteoberflächen sauber und trocken halten.

Um den Einfluß von Staub und Feuchtigkeit aus der Luft auszuschließen, halten Sie bitte die Geräteoberflächen sauber und trocken.

Schutz gegen elektrostatische Entladung (ESD).

Sorgen Sie für eine elektrostatisch geschützte Umgebung, um somit Schäden und Funktionsstörungen durch ESD zu vermeiden. Erden Sie vor dem Anschluß immer Innen- und Außenleiter der Verbindungsleitung, um statische Aufladung zu entladen.

Die richtige Verwendung des Akku.

Wenn eine Batterie verwendet wird, vermeiden Sie hohe Temperaturen bzw. Feuer ausgesetzt werden. Bewahren Sie es außerhalb der Reichweite von Kindern auf. Unsachgemäße Änderung der Batterie (Anmerkung: Lithium-Batterie) kann zu einer Explosion führen. Verwenden Sie nur von **RIGOL** angegebene Akkus.

Sicherer Transport.

Transportieren Sie das Gerät sorgfältig (Verpackung!), um Schäden an Bedienelementen, Anschlüssen und anderen Teilen zu vermeiden.

Sicherheits Begriffe und Symbole

Begriffe in diesem Guide. Diese Begriffe können in diesem Handbuch auftauchen:



WARNING

Die Kennzeichnung WARNING beschreibt Gefahrenquellen die leibliche Schäden oder den Tod von Personen zur Folge haben können.



CAUTION

Die Kennzeichnung Caution (Vorsicht) beschreibt Gefahrenquellen die Schäden am Gerät hervorrufen können.

Begriffe auf dem Produkt. Diese Bedingungen können auf dem Produkt erscheinen:

- DANGER** weist auf eine Verletzung oder Gefährdung hin, die sofort geschehen kann.
- WARNING** weist auf eine Verletzung oder Gefährdung hin, die möglicherweise nicht sofort geschehen.
- CAUTION** weist auf eine Verletzung oder Gefährdung hin und bedeutet, dass eine mögliche Beschädigung des Instruments oder anderer Gegenstände auftreten kann.

Symbole auf dem Produkt. Diese Symbole können auf dem Produkt erscheinen:



Gefährliche
Spannung



Sicherheits-
Hinweis



Schutz-erde



Gehäusemasse



Erde

Document Overview

Format Conventions in this Manual:

1. Key

The function keys at the front panel are denoted by the format of “Button Name (Bold) + Text Box”. For example, **Utility** denotes the “Utility” key.

2. Menu

The menu items are denoted by the format of “Menu Word (Bold) + Character Shading”. For example, **System** denotes the “System” menu item under **Utility**.

3. Operation Step

The next step of operation is denoted by an arrow “→”. For example, **Utility** → **System** denotes pressing **Utility** at the front panel and then pressing **System**.

Content Conventions in this Manual:

MSO1000Z/DS1000Z series includes the following models.

| Model | Analog Bandwidth | Number of Analog Channels | Number of Signal Source Channels | Number of Digital Channels |
|------------|------------------|---------------------------|----------------------------------|----------------------------|
| MSO1104Z-S | 100 MHz | 4 | 2 | 16 |
| MSO1074Z-S | 70 MHz | 4 | 2 | 16 |
| MSO1104Z | 100 MHz | 4 | -- | 16 |
| MSO1074Z | 70 MHz | 4 | -- | 16 |
| DS1104Z-S | 100 MHz | 4 | 2 | -- |
| DS1074Z-S | 70 MHz | 4 | 2 | -- |
| DS1104Z | 100 MHz | 4 | -- | -- |
| DS1074Z | 70 MHz | 4 | -- | -- |
| DS1054Z | 50 MHz | 4 | -- | -- |

User Manuals of this Product:

The user manuals of this product include the Quick Guide, User’s Guide, Programming Guide, Data sheet and etc. For the latest version of the desired manual, download it from www.rigol.com.

Contents

| | |
|--|-------------|
| Guaranty and Declaration | I |
| Safety Requirement | II |
| General Safety Summary | II |
| Safety Terms and Symbols | IV |
| Allgemeine Sicherheits Informationen..... | V |
| Sicherheits Begriffe und Symbole | VII |
| Document Overview..... | VIII |
| Chapter 1 Disassemble and Assemble | 1-1 |
| Disassemble and Assemble Notices | 1-1 |
| Exploded View of the Device | 1-2 |
| To Disassemble the Rear Cover | 1-4 |
| To Disassemble the Rear Metal Cover | 1-5 |
| To Disassemble the Knobs | 1-7 |
| To Disassemble the Front Panel | 1-8 |
| To Disassemble the Keyboards, LCD and Digital Channel Input Port | 1-9 |
| To Disassemble the Main Board | 1-11 |
| Assemble Procedures | 1-13 |
| Chapter 2 Troubleshooting&Maintenance | 2-1 |
| Troubleshooting | 2-1 |
| Maintenance | 2-3 |
| System Maintenance | 2-3 |
| Warranty..... | 2-3 |
| General Care and Cleaning..... | 2-4 |
| Environmental Considerations | 2-4 |

Chapter 1 Disassemble and Assemble

Disassemble and Assemble Notices

Notices:

- Do not disassemble the instrument unless for working requirement.
- Only authorized personnel can disassemble the instrument.
- Cut off the power supply before disassembling the instrument.
- Please wear anti-static wrist strap or make other anti-static precaution when disassembling the instrument.
- Please use proper tools and follow the correct steps.
- Take care not to deform the metal structure and be scuffed when disassembling the metal structures.

Tools Required:

- Phillips screwdriver T10
- BNC socket
- 5mm hexagon socket



WARNING

Make sure that the power supply is cut off before disassembling the instrument. Only personnel with relative training or relative qualification certification can disassemble the instrument.

Exploded View of the Device

You need to get a basic understanding of the main parts of the instrument before disassembling and assembling the instrument. When disassembling or assembling the instrument, please follow the procedures and avoid scratching the part surface. This manual mainly introduces the disassemble and assemble methods of MSO1000Z/DS1000Z series digital oscilloscope. The exploded view of MSO1000Z/DS1000Z (take MSO1000Z-S as an example) is as shown in Figure 1-1.

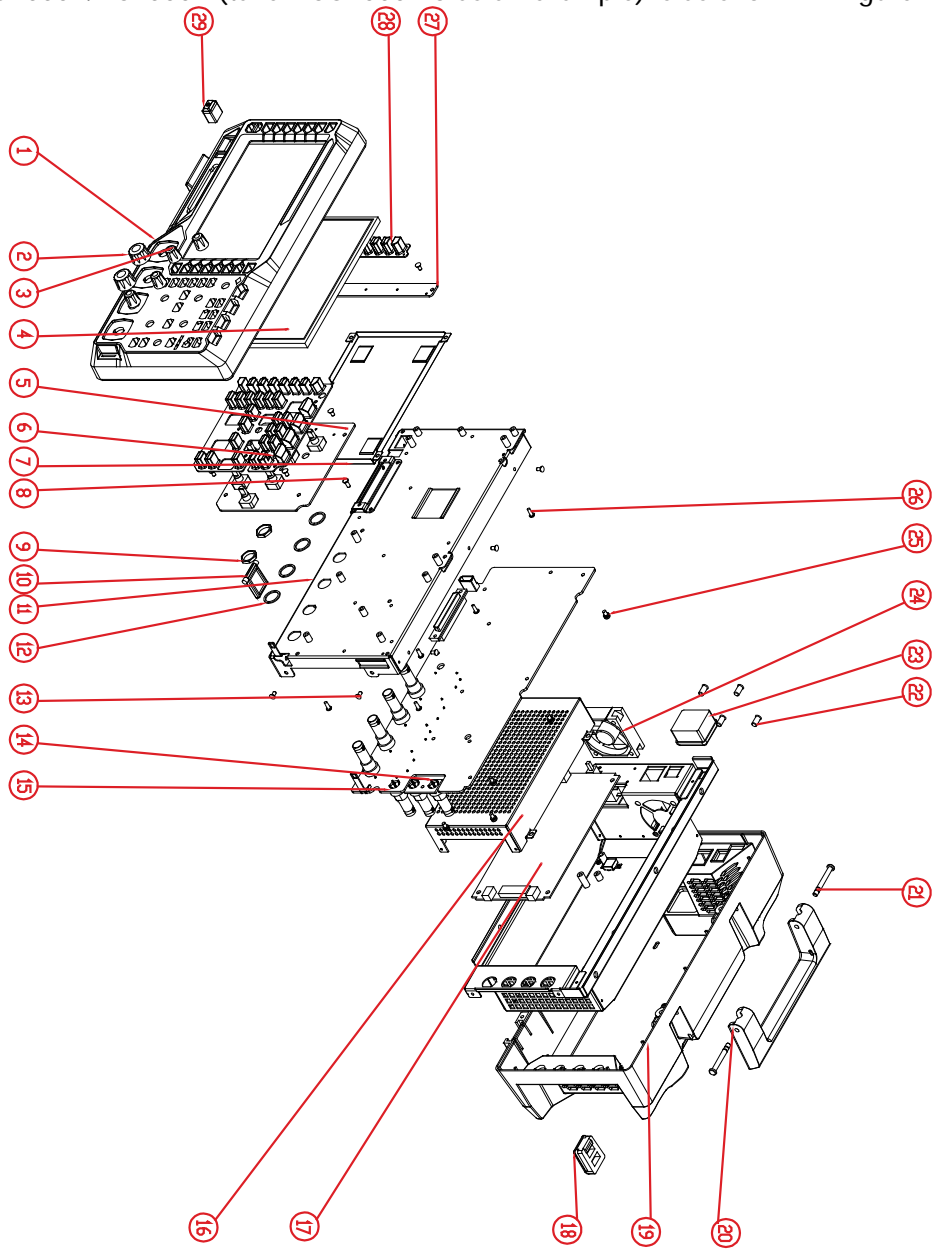


Figure 1-1 Exploded View of MSO1000Z/DS1000Z

Table 1-1 Part Explanation of MSO1000Z/DS1000Z Exploded View

| No. | Part Name | No. | Part Name |
|-----|---|-----|--|
| ① | Front Panel | ⑩⑥ | Power Shield |
| ② | Large Knob | ⑩⑦ | Power Supply Board |
| ③ | Small Knob | ⑩⑧ | Rear Foot |
| ④ | LCD | ⑩⑨ | Rear Cover |
| ⑤ | Main Key PCB Board | ⑩⑩ | Handle |
| ⑥ | Main Rubber Key | ⑩⑪ | Handle Rotating Shaft |
| ⑦ | LCD Frame | ⑩⑫ | Torx Countersunk Head Self Tapping Screw PTF5*10 |
| ⑧ | Torx Countersunk Head Screw #FM4#-40*5/16 | ⑩⑬ | Power Socket |
| ⑨ | BNC Nut | ⑩⑭ | Fan |
| ⑩ | Front Supporting Foot | ⑩⑮ | Torx Pan Head Screw Assembly M3*6 |
| ⑪ | Front Metal Plate | ⑩⑯ | Torx Pan Head Self Tapping Screw M3*8 |
| ⑫ | BNC Washer | ⑩⑰ | PCB Board of the Keys at the Left Side of the Screen |
| ⑬ | Torx Countersunk Head Screw M3*6 | ⑩⑱ | Rubber Keys at the Left of the Screen |
| ⑭ | Signal Source Output PCB Board | ⑩⑲ | Power Key |
| ⑮ | Main Board | -- | -- |

The recommended disassemble procedures are as follows:

To Disassemble the Rear Cover → To Disassemble the Rear Metal Cover → To Disassemble the Knobs → To Disassemble the Front Panel → To Disassemble the Keyboards, LCD and Digital Channel Input Port → To Disassemble the Main Board

To Disassemble the Rear Cover

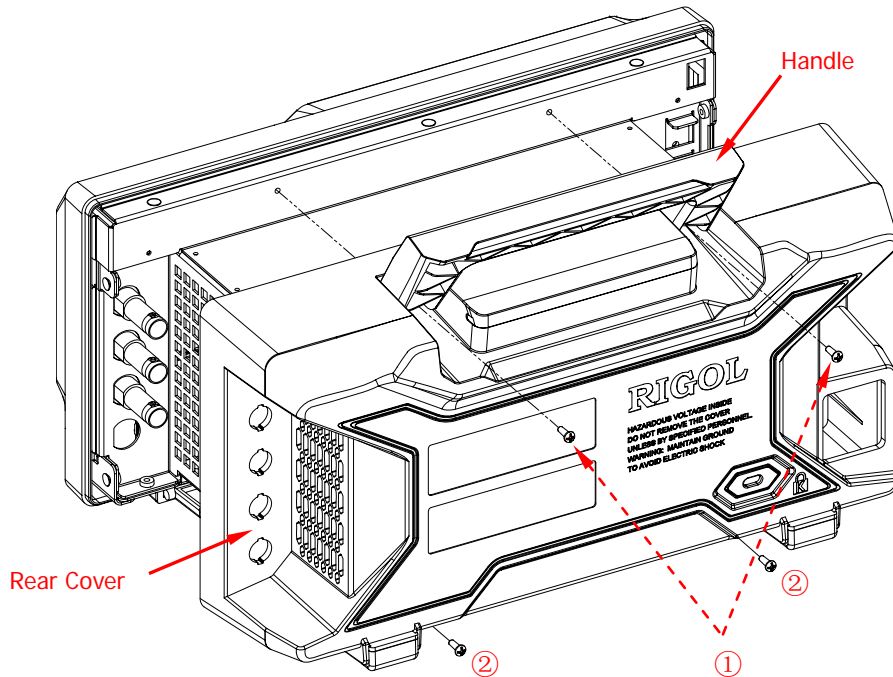


Figure 1-2 To Disassemble the Rear Cover

Part Explanations:

- ① 2 screws (one on each side, torx pan head screw M3*10) at the handle groove.
- ② 2 screws (one on the inner side of the left/right supporting foot, torx pan head self tapping screw M3*8) at the front supporting feet at the bottom of the cover.

Disassemble Steps:

1. Remove the 2 screws (①) at the handle groove using the screwdriver (T10).
2. Remove the 2 screws (②) at the front supporting feet at the bottom of the cover using the screwdriver (T10).
3. Take off the rear cover gently.

To Disassemble the Rear Metal Cover

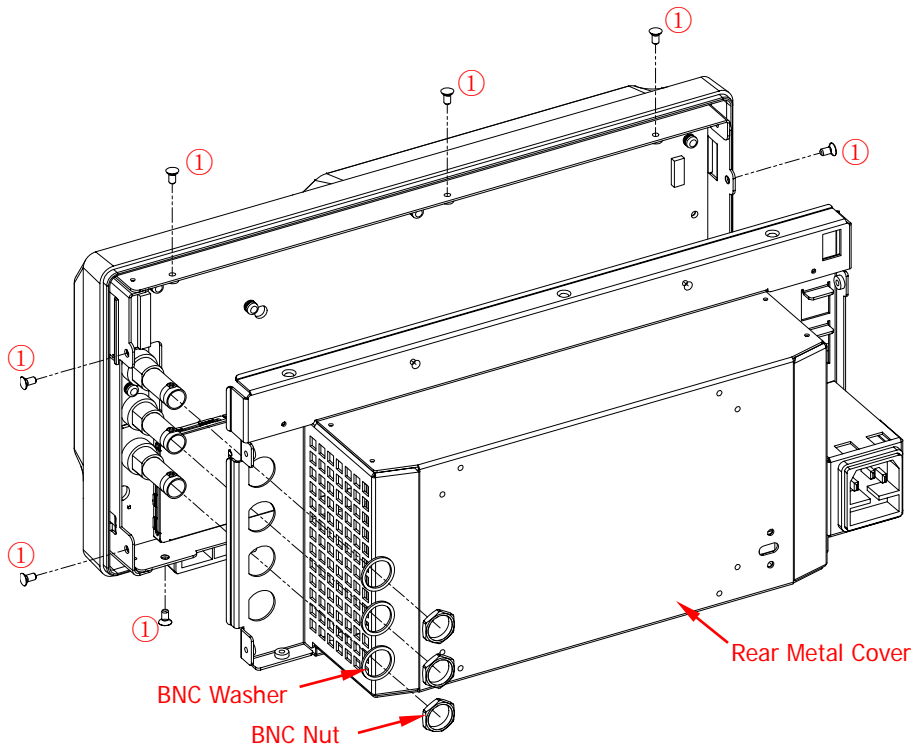


Figure 1-3 To Disassemble the Rear Metal Cover

Part Explanation:

- ① 11 screws (torx countersunk head screw M3*6) fixing the front metal plate and rear metal cover (the positions of some of the screws are not marked out in the figure above and please disassemble them according to their actual positions).

Disassemble Steps:

1. Remove the 3 (for MSO1000Z-S/DS1000Z-S) nuts and washers at the BNC ports on the rear metal cover using the BNC socket. Note that for MSO1000Z/DS1000Z, there are only one BNC nut and washer.
2. Remove the 11 screws (①) fixing the front metal plate and rear metal cover using the screwdriver (T10).
3. Remove the power cord and fan cable connected to the main board and take off the rear metal cover gently.

Tip:

- Pay attention to the connecting positions of the power cord and fan cable before removing them to avoid incorrect connection or incomplete connection when assembling the instrument.
- Check whether the screen line and the keyboard cable on the main board are correctly installed before assembling the rear metal cover.

To Disassemble the Knobs

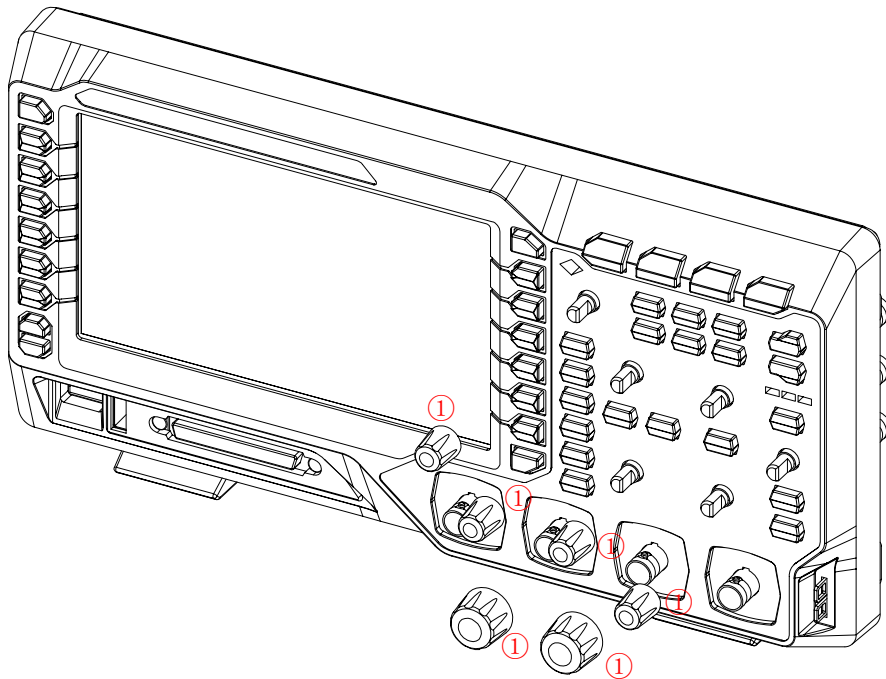


Figure 1-4 To Disassemble the Knobs

Part Explanation:

① 6 knobs

Disassemble Step:

Disassemble the 6 knobs (①).

Tip:

It is recommended that you use a lever-like tool to pry out the knob when disassembling the knob and place a soft pad at the force bearing point to avoid damaging the key film and knob.

To Disassemble the Front Panel

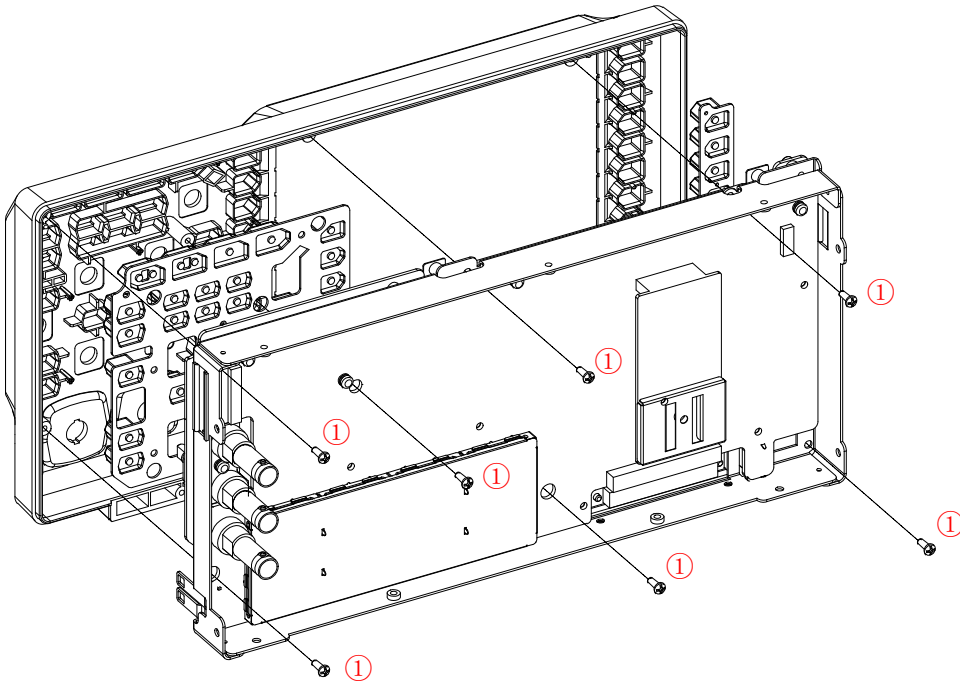


Figure 1-5 To Disassemble the Front Panel

Part Explanation:

① 7 screws (torx countersunk head self tapping screw M3*8) fixing the front panel.

Disassemble Steps:

1. Remove the 7 screws (①) fixing the front panel using the screwdriver (T10).
2. Take off the front panel gently.

To Disassemble the Keyboards, LCD and Digital Channel Input Port

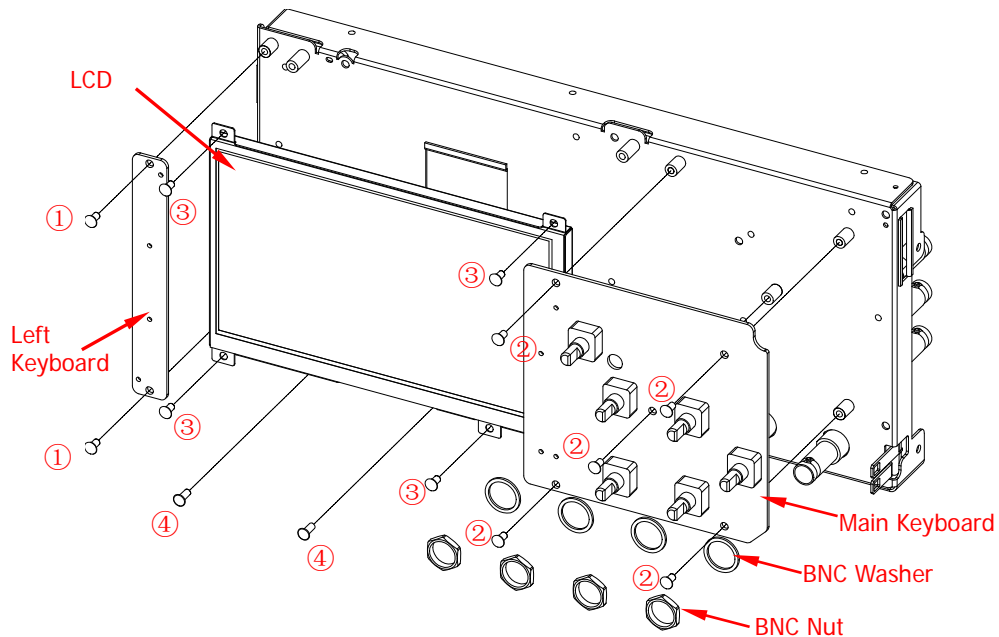


Figure 1-6 To Disassemble the Keyboards, LCD and Digital Channel Input Port

Part Explanations:

- ① 2 screws (torx countersunk head screw M3*6) fixing the left keyboard.
- ② 5 screws (torx countersunk head screw M3*6) fixing the main keyboard.
- ③ 4 screws (torx countersunk head screw M3*6) fixing the LCD.
- ④ 2 screws (torx countersunk head screw #FM4#-40*5/16) fixing the digital channel input port (below the LCD).

Disassemble Steps:

1. Remove the 2 screws (①) fixing the left keyboard using the screwdriver (T10).
2. Remove the 5 screws (②) fixing the main keyboard using the screwdriver (T10).
3. Remove the left keyboard cable and main keyboard cable connected to the main board, and take off the left keyboard and main keyboard gently.
4. Remove the 4 screws (③) fixing the LCD using the screwdriver (T10) and remove the screen line connected to the main board. Take off the LCD gently.
5. Remove the 2 screws (④) fixing the digital channel input port using the screwdriver (T10), and take off the digital channel input port gently. Note that only MSO1000Z/MSO1000Z-S includes a digital channel input port.

Tip:

- Pay attention to the connecting positions of the keyboard cables and screen line connected to the main board before removing them to avoid incorrect connection or incomplete connection when assembling the instrument.
- When assembling the keyboards and LCD, pass the left keyboard cable, main keyboard cable and screen line through the corresponding holes on the front metal plate, fasten the main board and then insert the cables to the corresponding positions.

To Disassemble the Main Board

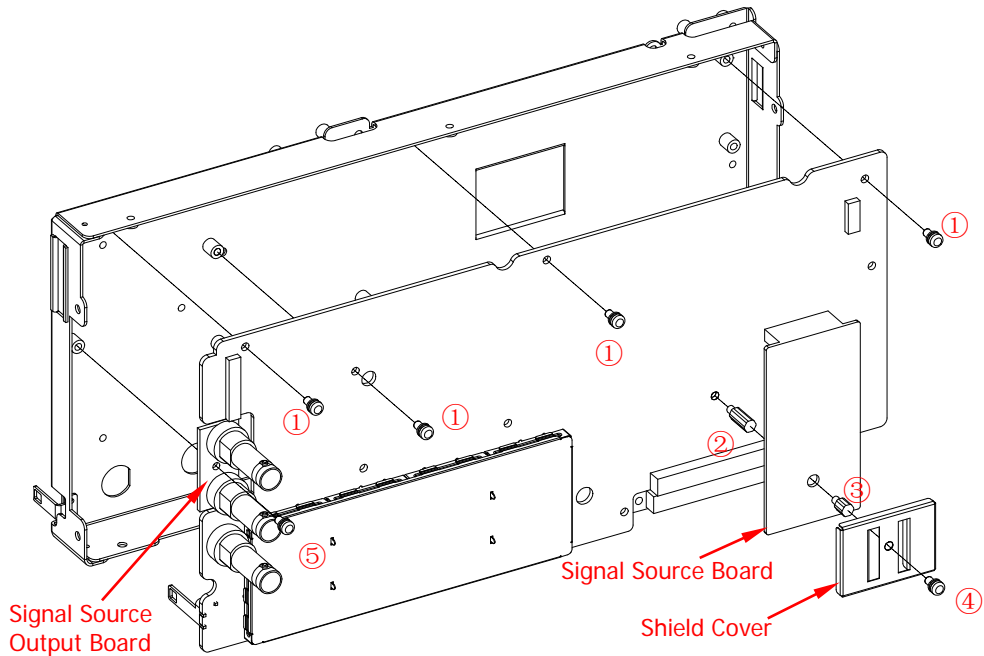


Figure 1-7 To Disassemble the Main Board (take MSO1000Z-S as an example)

1. To Disassemble the Main Board of MSO1000Z-S/DS1000Z-S

Part Explanations:

- ① 9 screws (torx pan head screw assembly M3*6) fixing the main board and front metal plate (the positions of some of the screws are not marked out in the figure above and please remove them according to their actual positions).
- ② 1 screw (multi-station screw #MSM 3*11.0*6.0) fixing the main board and front metal plate.
- ③ 1 screw (multi-station screw #MSM 3*5.0*6.0) fixing the signal source board.
- ④ 1 screw (torx pan head screw #FM3*4) fixing the shield cover.
- ⑤ 1 screw (torx pan head screw assembly M3*6) fixing the signal source output board.

Disassemble Steps:

- (1) Remove the 4 nuts and washers at the BNC ports on the front metal plate using the BNC socket.
- (2) Remove the screw (⑤) fixing the signal source output board using the screwdriver (T10), and take off the signal source output board gently.
- (3) Remove the screw (④) fixing the shield cover using the screwdriver (T10),

and take off the shield cover gently.

- (4) Remove the screw (③) fixing the signal source board using the 5mm hexagon socket, and take off the signal source board gently.
- (5) Remove the screw (②) fixing the main board and front metal plate using the 5mm hexagon socket.
- (6) Remove the 9 screws (①) fixing the main board and front metal plate using the screwdriver (T10).
- (7) Take off the main board gently.

2. To Disassemble the Main Board of MSO1000Z/DS1000Z

Part Explanation:

- ① 10 screws (torx pan head screw assembly M3*6) fixing the main board and front metal plate (please remove them according to their actual positions).

Disassemble Steps:

- (1) Remove the 4 nuts and washers at the BNC ports on the front metal plate using the BNC socket.
- (2) Remove the 10 screws (①) fixing the main board and front metal plate using the screwdriver (T10).
- (3) Take off the main board gently.

Assemble Procedures

The assemble procedures are the reverse of the disassemble procedures. Check whether the cables are correctly connected and whether all the screws are installed after each step of assemble.

You are recommended to follow the order and methods introduced above when disassembling and assembling the instrument to avoid damage to the instrument due to improper operation and to save your time.

Chapter 2 Troubleshooting&Maintenance

Troubleshooting

The commonly encountered failures and their solutions are listed below. When you encounter those problems, please solve them following the corresponding steps. If the problem remains still, please contact **RIGOL** and provide your device information (acquisition method: **Utility** → **System** → **System Info**).

1. The screen is still dark after pressing the power key:

- (1) Check whether the power switch is really on.
- (2) Check whether the power is correctly connected.
- (3) Check whether the fuse is burned out. If the fuse needs to be changed, please use the specified fuse.
- (4) Restart the instrument after finishing the above inspections.
- (5) If it still does not work correctly, please contact **RIGOL**.

2. The signal is sampled but no waveform of the signal is displayed:

- (1) Check whether the probe is correctly connected to the item to be tested.
- (2) Check whether there are signals generated from the item to be tested (you can connect the probe compensation signal to the problematic channel to determine which has problem, the channel or the item to be tested).
- (3) Resample the signal.

3. The measured voltage amplitude is greater or lower than the actual value (this problem usually occurs when probe is used):

Check whether the probe ratio of the channel complies with the attenuation ratio of the probe.

4. There is waveform display but not stable:

- (1) Check the trigger source: press **MENU** → **Source** in the trigger control area (TRIGGER) at the front panel to check whether the trigger source selected complies with the signal channel actually used.
- (2) Check the trigger type: general signals should use "Edge" trigger and video signal should use "Video" trigger. Only when the proper trigger type is used, can the waveform be displayed stably.
- (3) Check the trigger level: adjust the trigger level to the middle of the signal.
- (4) Change the trigger holdoff setting.

5. No display after pressing **RUN/STOP:**

Check whether the trigger mode in the trigger control area (TRIGGER) at the front panel is "Normal" or "Single" and whether the trigger level exceeds the waveform range. If yes, set the trigger level to the middle or set **MODE** to "Auto".

Note: Using **AUTO** could automatically finish the above setting.

6. The display of waveform is ladder-like:

- (1) The horizontal time base might be too low. Increase the horizontal time base to increase the horizontal resolution and improve the display.
- (2) If the display type is "Vectors", the lines between the sample points may cause ladder-like display. Press **Display** → **Type** to set the display type to "Dots" to solve the problem.

7. Fail to connect PC or PictBridge printer through USB:

- (1) Press **Utility** → **IO Setting** → **USB Device** to check whether the current setting matches the device currently connected.
- (2) Check whether the USB cable is correctly connected to the oscilloscope and PC.
- (3) Check whether the USB cable is in good condition. If needed, restart the oscilloscope.

8. The USB storage device cannot be recognized:

- (1) Check whether the USB storage device can work normally.
- (2) Make sure that the USB storage device being used is flash storage type. This oscilloscope does not support hardware storage type.
- (3) Make sure whether the capacity of the USB storage device is too large. It is recommended that the capacity of the USB storage device being used with this oscilloscope is no larger than 8 GBytes.
- (4) Restart the instrument and then insert the USB storage device to check it.
- (5) If the USB storage device still cannot be used normally, please contact **RIGOL**.

Maintenance

System Maintenance

In order to ensure the performance and prolong the service life of the instrument, please follow the recommendations below.

1. Get a full understanding of the performance and basic operating method of the instrument before using it.
2. In order to ensure the measurement accuracy and the service life of the instrument, the instrument should be used and stored in places away from dust, shock, moisture, magnetic field and static; besides, the instrument should be placed in places where it will not be exposed to sunlight for long periods of time.
3. Do not operate the instrument when failure occurs. In this situation, you need to first solve the failure. Besides, regular test and calibration should be performed to ensure the accuracy of the performance.
4. Arrange the instrument properly after you finish the operation of the instrument.
5. Keep the relative accessories of the instrument properly for future use.

Warranty

RIGOL warrants that its products mainframe and accessories will be free from defects in materials and workmanship within the warranty period.

If a product is proven to be defective within the respective period, **RIGOL** guarantees the free replacement or repair of products which are approved defective. To get repair service, please contact with your nearest **RIGOL** sales and service office.

RIGOL does not provide other warranty items except the one being provided by this warranty statement. The warranty items include but not being subjected to the hint guarantee items related to tradable characteristic and any particular purpose.

RIGOL will not take any responsibility in cases regarding to indirect, particular and ensuing damage.

General Care and Cleaning

General Care

Do not store or leave the instrument where it may be exposed to direct sunlight for long periods of time.

Cleaning

Clean the instrument regularly according to its operating conditions. To clean the exterior surface, perform the following steps:

1. Disconnect the instrument from all power sources.
2. Clean the loose dust on the outside of the instrument with a lint-free cloth (with a mild detergent or water). When cleaning the LCD, take care to avoid scarifying it.



CAUTION

To avoid damage to the instrument, do not expose it to caustic liquids.



WARNING

To avoid injury resulting from short circuit, make sure the instrument is completely dry before reconnecting to a power source.

Environmental Considerations

The following symbol indicates that this product complies with the WEEE Directive 2002/96/EC.



Product End-of-Life Handling

The equipment may contain substances that could be harmful to the environment or human health. In order to avoid the release of such substances into the environment and harm to human health, we encourage you to recycle this product in an appropriate system that will ensure that most of the materials are reused or recycled appropriately. Please contact your local authorities for disposal or recycling information.