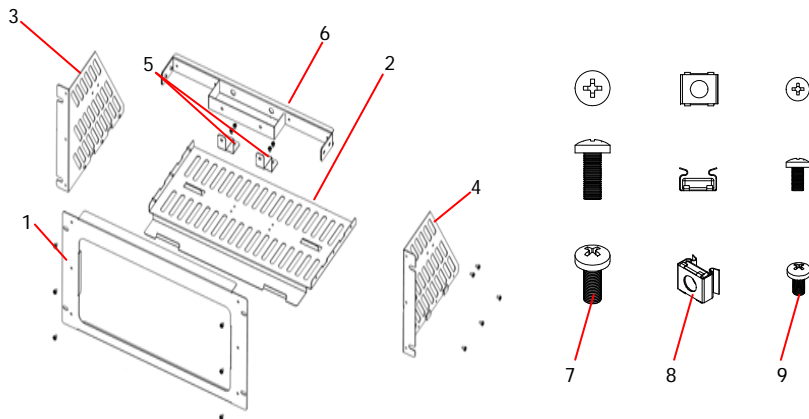


RIGOL**Rack Mount Kit****DSA1000/DSA1000A**

This rack mount kit is designed to mount **RIGOL** DSA1000/DSA1000A series spectrum analyzer into a standard 19-inch cabinet that conforms to the Electronic Industries Association (EIA) standard.

Kit Part Checklist

No.	Name	Qty.	Description
1	Front Plate	1	
2	Bottom Plate	1	
3	Left Plate	1	
4	Right Plate	1	
5	Retaining Bracket	2	
6	Rear Support Bracket	1	
7	M6 Screw	4	M6*16 Phillips Pan Head Screw
8	M6 Nut	4	M6 Square Lock Cage Nut
9	M4 Screw	24	M4*8 Phillips Pan Head Screw

**Installation Tool**

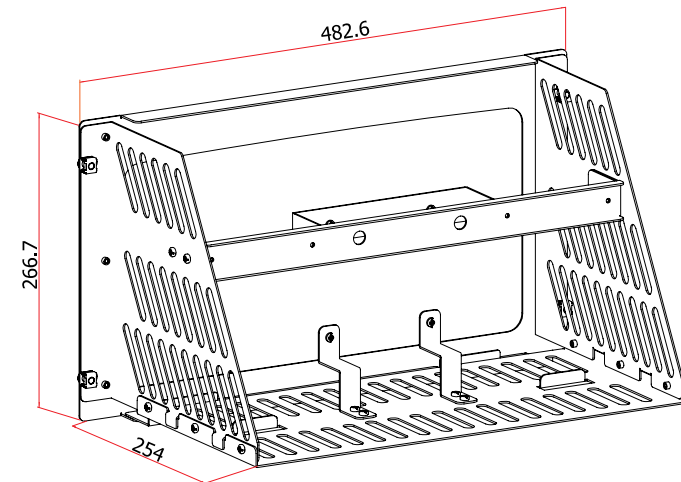
The PH2 Philips screwdriver is recommended.

Space Requirements

To mount the instrument into the cabinet correctly, please ensure that the following requirements are met.

- The cabinet must be a standard 19-inch one.
- The available height of the cabinet should be at least 6U (266.7 mm).
- The depth of the cabinet should be at least 300 mm.

The dimensions of the rack-mounted instrument are as shown below.



Unit: mm

Installation Procedures

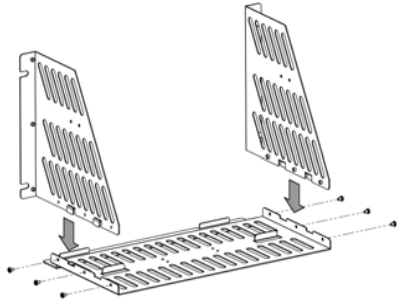


CAUTION

Only authorized operators are allowed to perform the installation. Improper installation might cause damage to the instrument or an installation failure.

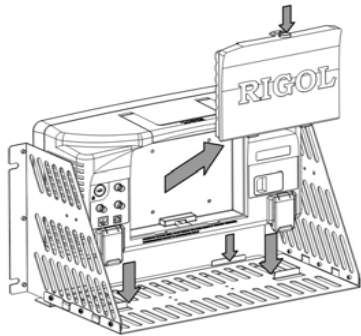
1. Mount the left and right plates

Align the detents of the left and right plates with the openings on both sides of the bottom plate respectively and insert them into the bottom plate, then fasten them using six M4 screws.



2. Place the instrument

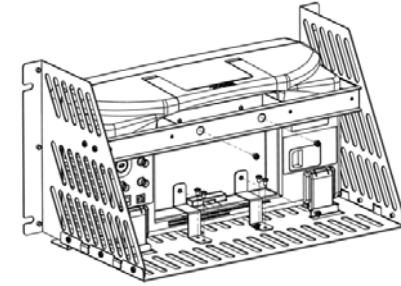
Remove the battery by pressing the button on top of it, and then place the instrument into the confined position on the bottom plate.



3. Fasten the instrument

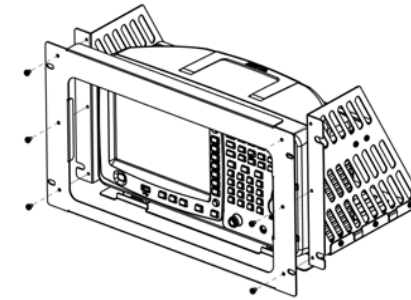
Use four M4 screws to attach a rear support bracket and two retaining brackets to the instrument. Locate the instrument properly and then fasten the rear support bracket to

both side plates and secure two retaining brackets with the bottom plate by using eight M4 screws.



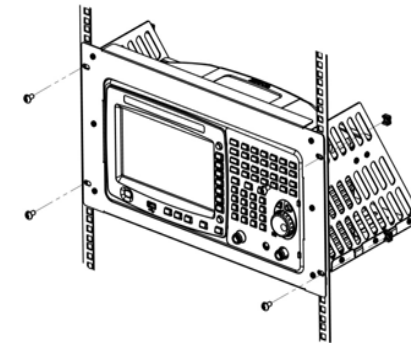
4. Mount the front plate

Attach the front plate to the assembled shelf, and then secure them with six M4 screws.



5. Get encased in the cabinet

Mount the assembled instrument and rack into a standard 19-inch cabinet using four M6 screws and four M6 square nuts.



-End-