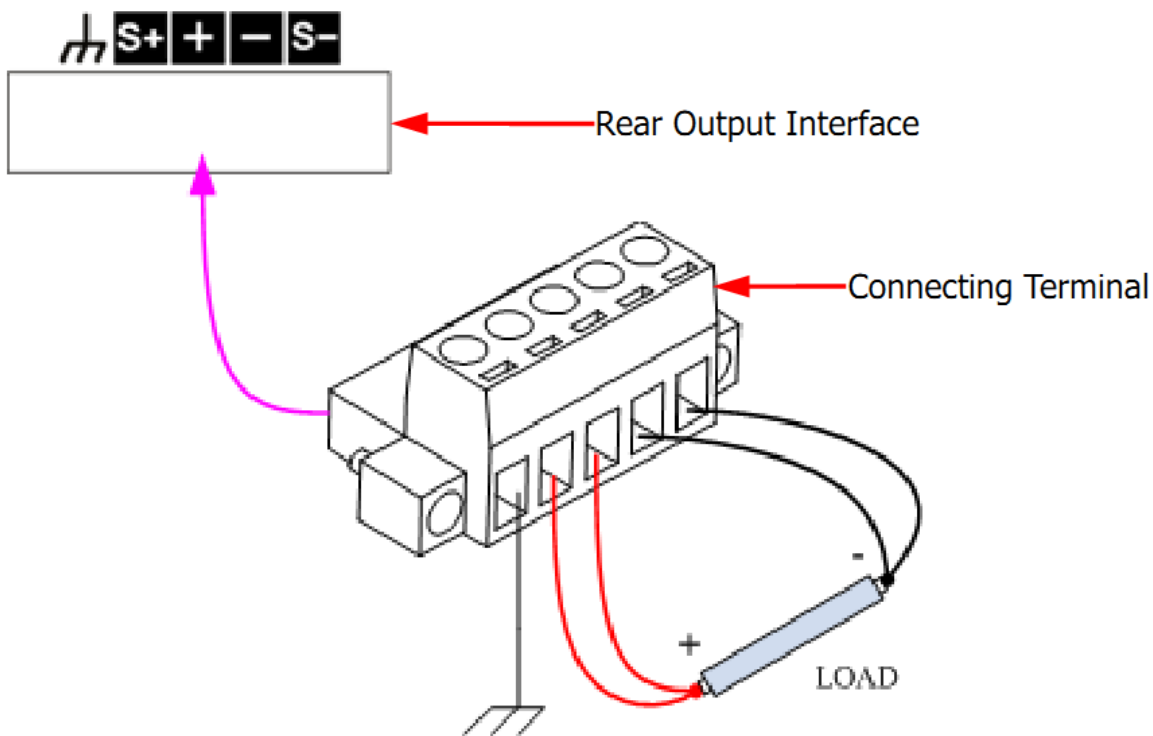


## Recommended Parts for the Rigol DP811/A Remote Sense Connections

The Rigol DP811 and DP811A power supplies have remote sense capabilities located on the front and rear panels. The connector for the rear panel remote sense connections, as shown below:



Phoenix Contact Part Number MSTB 2.5/5-ST-5.08

Phoenix Contact Part Number MVSTBR 2.5/5-ST-5.08

**Find more information online** [DP800 Family Information page](#)

For more information on our power supplies or other products please go to [rigolna.com](http://rigolna.com) or contact us directly at [applications@rigoltech.com](mailto:applications@rigoltech.com) or call us toll free at **877-4-RIGOL-1**.

### Rigol Technologies USA

10200 SW Allen Blvd, Suite C  
Beaverton, OR 97005  
877.474.4651