

RIGOL

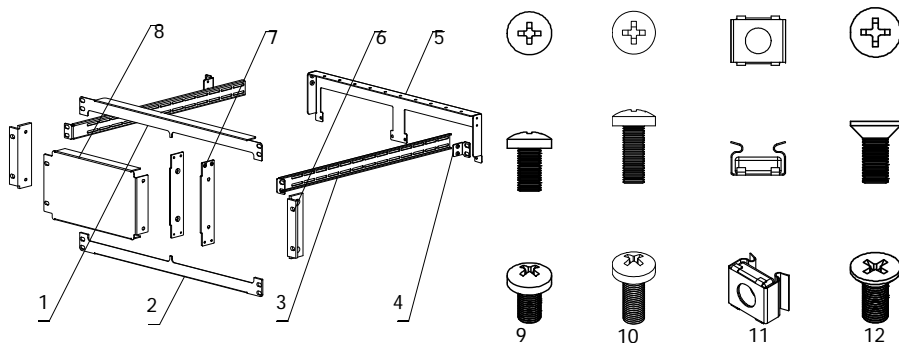
M300 Rack Mount Kit

This rack mount kit is designed to mount **RIGOL** M300 series data acquisition/switch system into a standard 19-inch cabinet that conforms to the Electronic Industries Association (EIA) standard.

Kit Part Checklist

No.	Name	Qty.		Description
		RM-1-M300 ^[1]	RM-2-M300 ^[1]	
1	Top Retaining Bar	1	1	--
2	Bottom Retaining Bar	1	1	--
3	Side Beam	2	2	--
4	Side Beam Fastener	2	2	--
5	Rear Bracket	1	1	--
6	Instrument Fastener	1	2	--
7	Instrument Connecting Plate	None	2	--
8	Instrument Front Plate	1	None	--
9	M4 Pan Head Screw	12	16	M4 x 8 Phillips Pan Head Screw
10	M6 Pan Head Screw	8	16	M6 x 16 Phillips Pan Head Screw
11	M6 Nut	8	16	M6 Square Lock Cage Nut
12	M4 Countersunk Flat Head Screw	2	8	M4 x 10 Phillips Countersunk Flat Head Screw

Note^[1]: RM-1-M300 is designed for installing a single instrument. RM-2-M300 is designed for installing two instruments.



Installation Tool

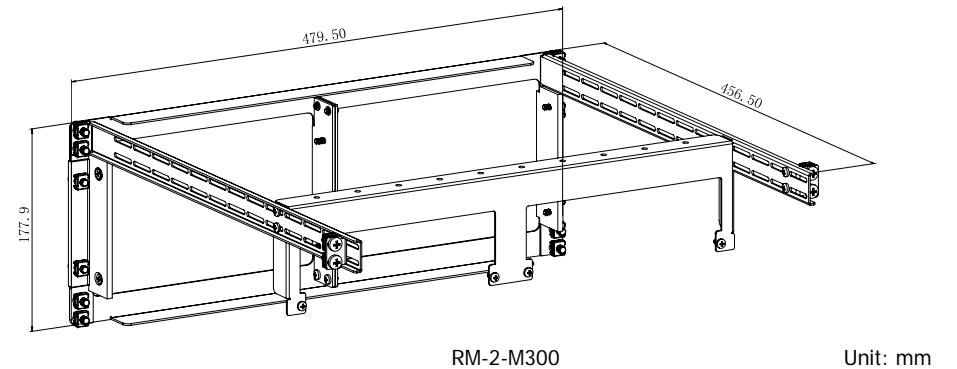
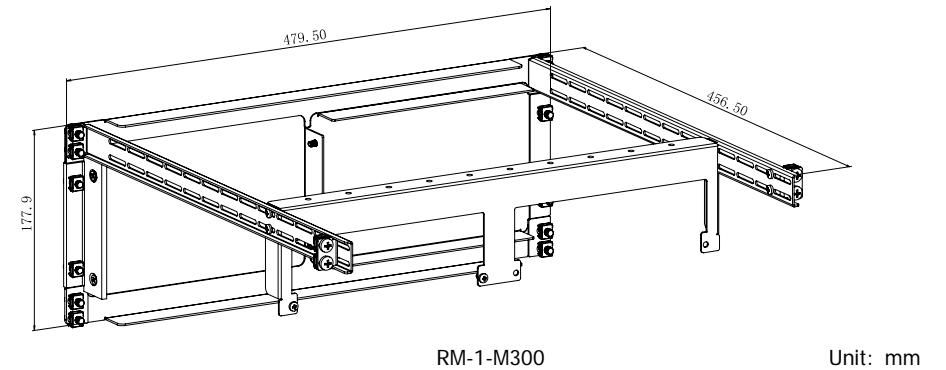
The PH2 Phillips screwdriver and T20 Phillips screwdriver are recommended.

Space Requirements

To mount the instrument(s) into the cabinet correctly, please ensure that the following requirements are met.

- The cabinet must be a standard 19-inch one.
- The available height of the cabinet should be at least 4U (177.8 mm).
- The depth of the cabinet should be at least 460 mm.

The dimensions of the rack-mounted instrument(s) are as shown below.

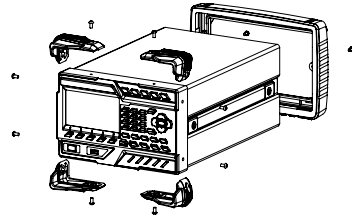


Installation Procedures

CAUTION: Only authorized operators are allowed to perform the installation. Improper installation might cause damage to the instrument or an installation failure.

Pre-Installation Preparation: Remove the protective covers, rear legs and the rear rubber cover

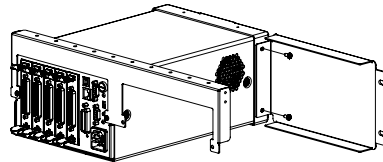
Use the T20 Phillips screwdriver to remove eight M4 screws at four corners of the front panel and two M4 screws on both sides of the rear panel. Then, take off the protective covers, rear legs and the rear rubber cover.



Mount a single instrument (Requiring to order a set of RM-1-M300)

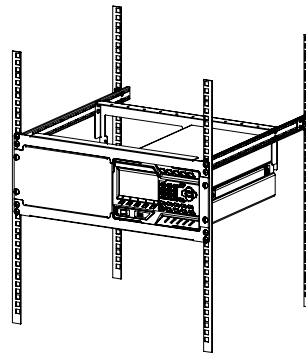
1. Mount the instrument fastener, instrument front plate, and rear bracket

Attach the instrument fastener to one side of the front panel of the instrument, then secure the fastener with two M4 countersunk flat head screws. Attach the instrument front plate to the other side of the front panel of the instrument, then secure the plate using two M4 pan head screws. Align two holes of the rear bracket with those of the rear panel of the instrument, then secure the bracket with two M4 pan head screws.



2. Get encased in the cabinet

Use one top retaining bar, one bottom retaining bar, two side beams, two side beam fasteners to build up a frame for securing the instrument, then use twelve M6 screws, twelve M6 square nuts and four M4 pan head screws to fasten the frame to the cabinet. Place the fastened instrument into the frame of the cabinet and fasten the instrument using four M6 screws, four M6 square nuts, and four M4 pan head screws.

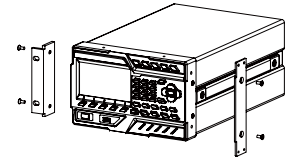


-End-

Mount two instruments (Requiring to order a set of RM-2-M300)

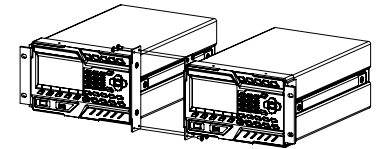
1. Mount the instrument fastener and instrument connecting plate

Attach the instrument fastener and the instrument connecting plate to either side of the front panel of the instrument and then secure the fastener and the plate with four M4 countersunk flat head screws. Perform the same procedures to mount another instrument (Note: swap the mounting position of the instrument fastener and the instrument connecting plate).



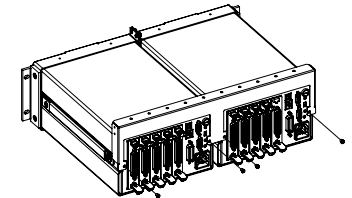
2. Fasten the instrument connecting plates

Place the two instruments side by side, align the holes on the connecting plates and secure the plates with four M4 pan head screws.



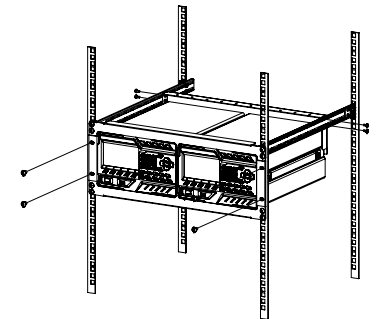
3. Mount the rear bracket

Align four holes of the rear bracket with those of the rear panel of the instrument, then secure the rear bracket with four M4 pan head screws.



4. Get encased in the cabinet

Use one top retaining bar, one bottom retaining bar, two side beams, two side beam fasteners to build up a frame for securing the instrument, then use twelve M6 screws, twelve M6 square nuts and four M4 pan head screws to fasten the frame to the cabinet. Place the fastened instrument into the frame of the cabinet and fasten the instrument using four M6 screws, four M6 square nuts, and four M4 pan head screws.



-End-