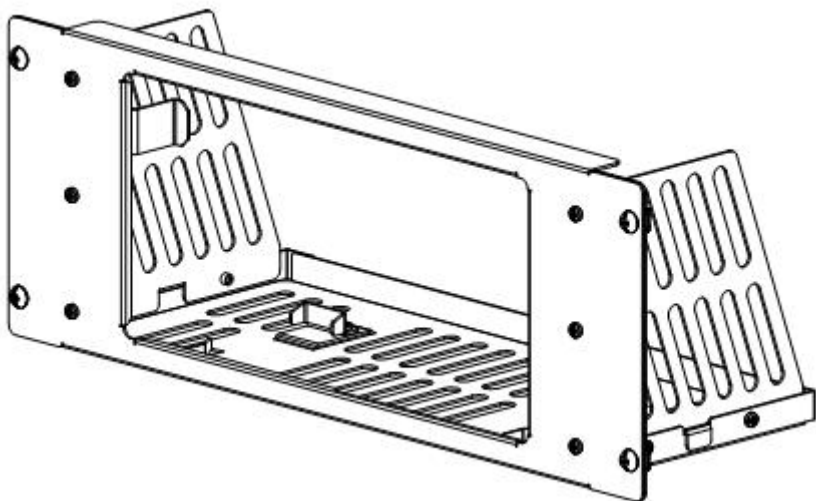


RIGOL

安装指导 Installation Guide



© 2013 RIGOL Technologies, Inc. All Rights Reserved.

DS1000Z/DG4000 机架套件

DS1000Z/DG4000 Rack Mount Kit

产品简介 Product Overview

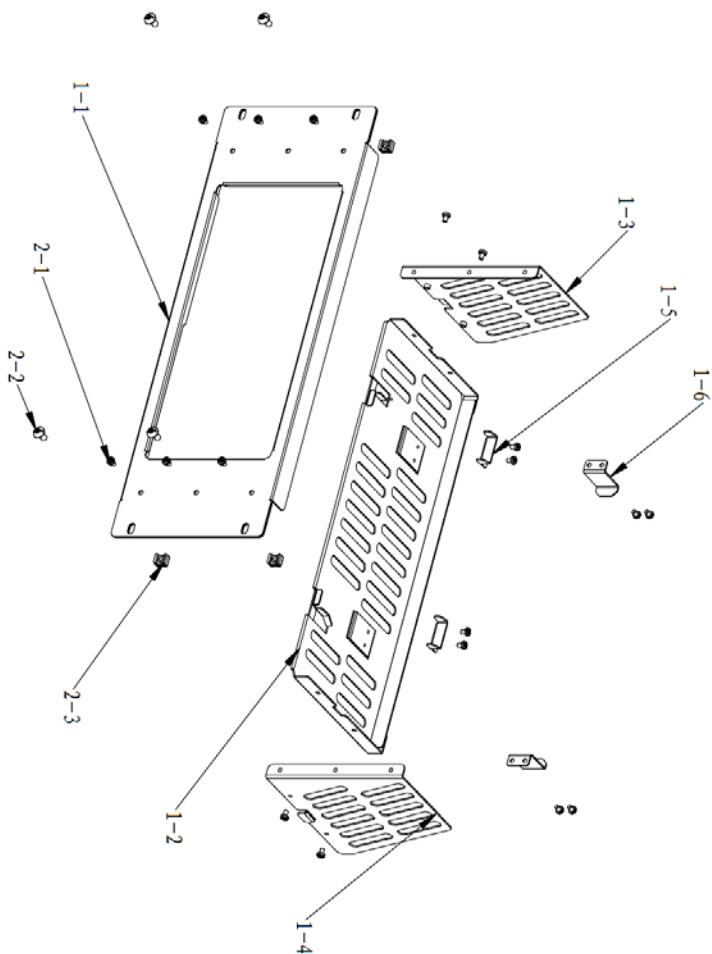
使用本机架套件可将 **RIGOL** DS1000Z 系列数字示波器或 DG4000 系列函数/任意波形发生器安装到 19 英寸标准机柜内。本手册以 DG4000 为例介绍安装方法。

Using this rack mount kit, you can install the **RIGOL** DS1000Z series digital oscilloscope or DG4000 series function/arbitrary waveform generator into a standard 19 inches cabinet. This manual takes DG4000 as an example to introduce the installation method.

部件清单 Kit Parts List

标号 No.	名称 Name	数量 Qty.	零件编号 Part No.	描述 Description
1-1	前面板 Front Panel	1	RM-DG4-01	
1-2	底板 Support Panel	1	RM-DG4-02	
1-3	左侧板 Left Plate	1	RM-DG4-03	
1-4	右侧板 Right Plate	1	RM-DG4-04	
1-5	压脚 Pressure Feet	2	RM-DG4-05	
1-6	固定件 Built-in Fitting	2	RM-DG4-06	
2-1	M4 螺钉 M4 Screw	18	RM-SCREW-01	M4 x 6 十一字切沟盘头机械牙 螺钉 M4 x 6 Phil-Slot Pan Head Machine Screw
2-2	M6 螺钉 M6 Screw	4	RM-SCREW-02	M6 x 20 十一字切沟盘头机械牙 螺钉 M6 x 20 Phil-Slot Pan Head Machine Screw
2-3	M6 螺母 M6 Nut	4	RM-SCREW-03	M6 x 4 带定位锁片机械牙方螺 母 M6 x 4 Square Machine Female Screw Contain Lock Blade

部件示意图 Parts Schematic Diagram



2-1

2-2

2-3

安装工具 Installation Tool

推荐使用 PH2 号头十字改锥。PH2 Phillips Screwdriver (recommended).

安装空间 Installation Space

本机架安装到机柜内须满足如下要求：

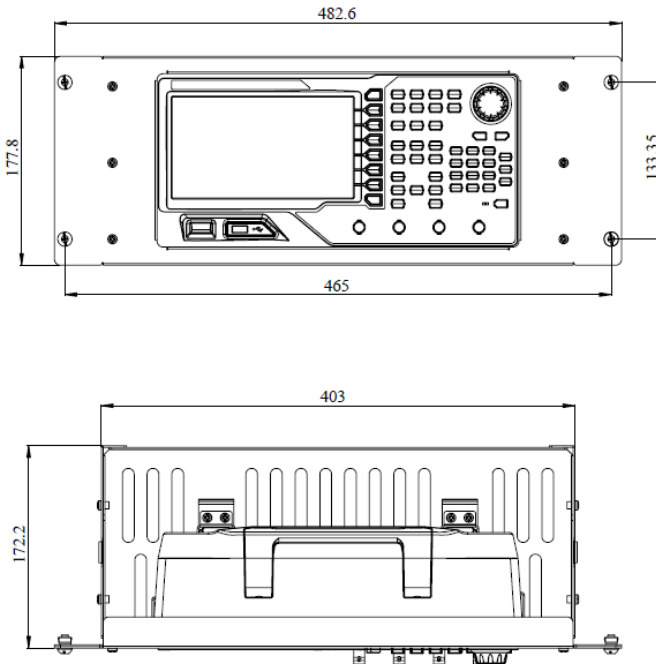
- 机柜必须为 19 英寸标准机柜。
- 机柜至少有 4U 的空间（177.8 mm）。
- 机柜内深度至少 180 mm。

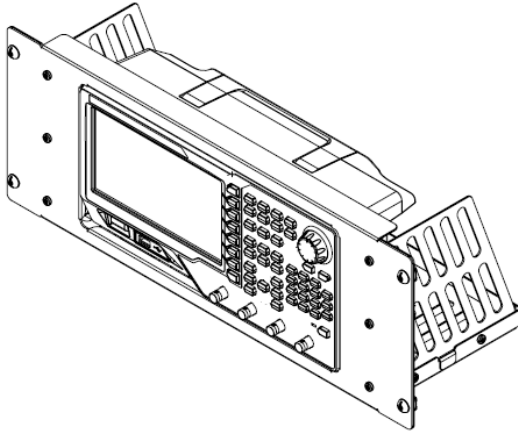
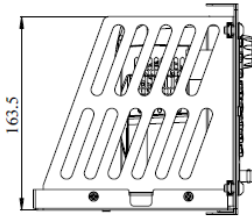
仪器上架后的尺寸如下图所示。

The following requirements must be fulfilled by the machine cabinet in which the instrument is mounted.

- The machine cabinet must be a standard 19-inch one.
- At least 4U (177.8 mm) space should be provided by the machine cabinet.
- The depth inside the machine cabinet should not be less than 180 mm.

The dimension of the instrument after being installed is as shown below.





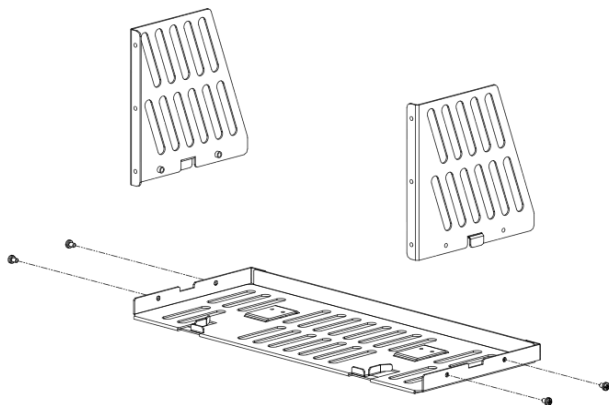
安装步骤 Installation Procedure

仅授权人员方可执行安装操作，不正确的操作可能导致仪器损坏或不能正确安装到机架内。

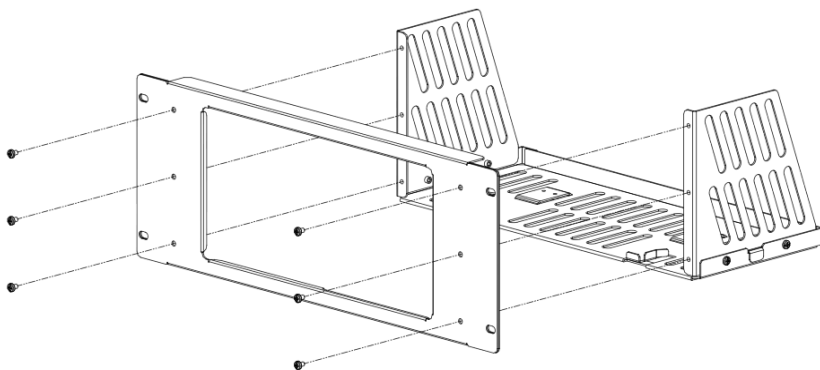
Only authorized operators can execute the installation operation. Improper installation might result in damage of the instrument or incorrect installation of the instrument on the rack.

1. 安装左右侧板：左右侧板的卡位对准底板的豁口后插入底板，用 4 颗 M4 螺钉将其固定。

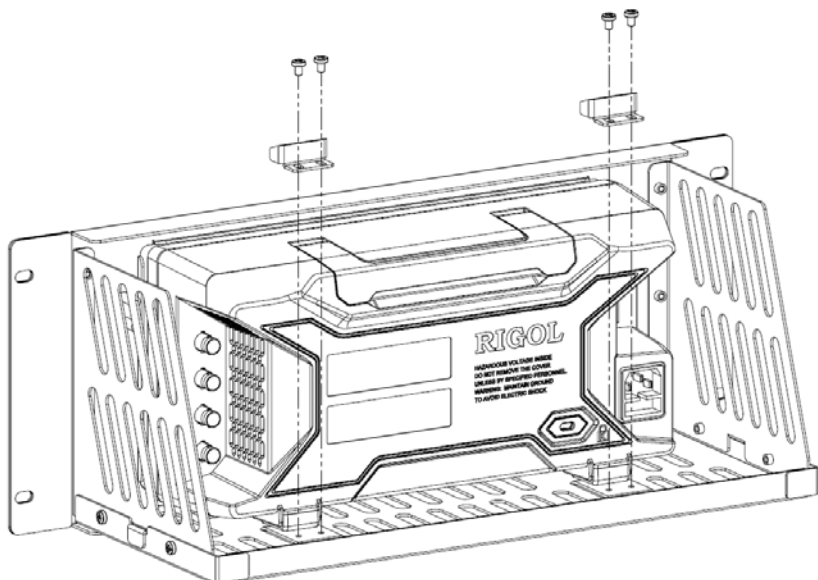
Install the right and left plates: align the detents of the right and left plates with the openings on the support board and insert them into the support board respectively, then fix them with four M4 screws.



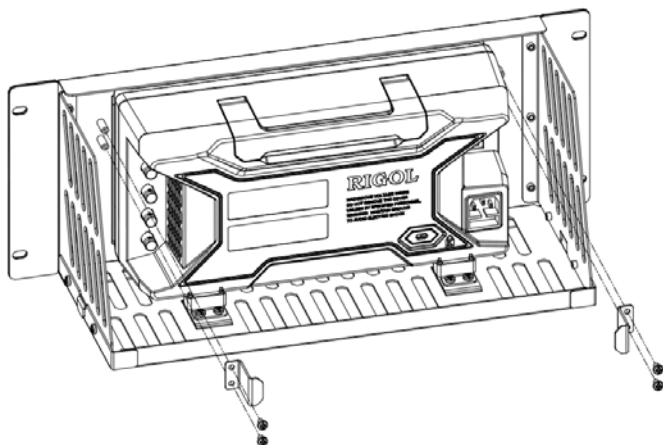
2. 安装机架前面板：将前面板用 6 颗 M4 螺钉固定在上一步装好的框架上。
Install the front panel of the rack mount kit: fix the front panel onto the frame installed in the previous step using six M4 screws.



3. 固定仪器脚部：用两个压脚将仪器紧扣在底板上，用 4 颗 M4 螺钉将其固定。
Fix the bottom of the instrument: fix the instrument onto the support board using two pressure feet and four M4 screws.

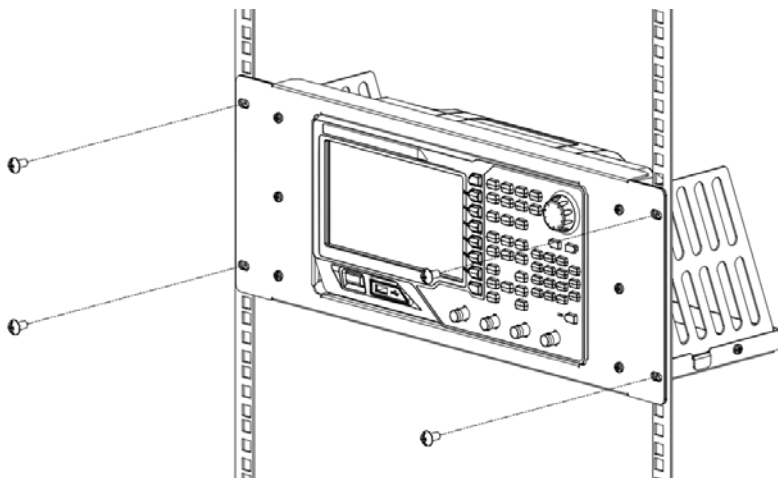


4. 固定仪器上部：将两个固定件压紧仪器上部，用 4 颗 M4 螺钉固定。
Fix the top of the instrument: fix the top of the instrument using two built-in fittings and four M4 screws.

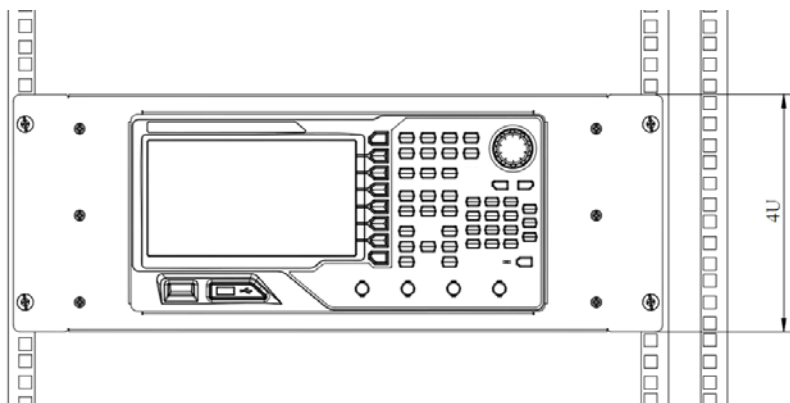


5. 装入机柜：用 4 颗 M6 螺钉和 4 颗 M6 方螺母将固定好仪器的机架安装在 19 英寸标准机柜内。
Load into the machine cabinet: mount the rack with the instrument fixed to it into

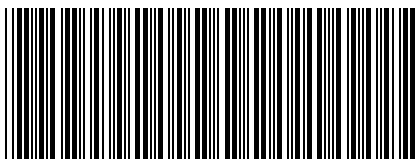
a standard 19-inch machine cabinet with four M6 screws and four M6 square nuts.



6. 安装后注意：机架占 4U 高度，箭头所指的孔为机架的安装孔，注意对准安装。
Post-installation notice: the rack occupies a height of 4U. The holes pointed out by the arrows are installation holes. Note that they should be aligned with during installation.



IGA17X00-1110
Nov. 2013



SMI 0 2 0 0 0 2 6 9 2