

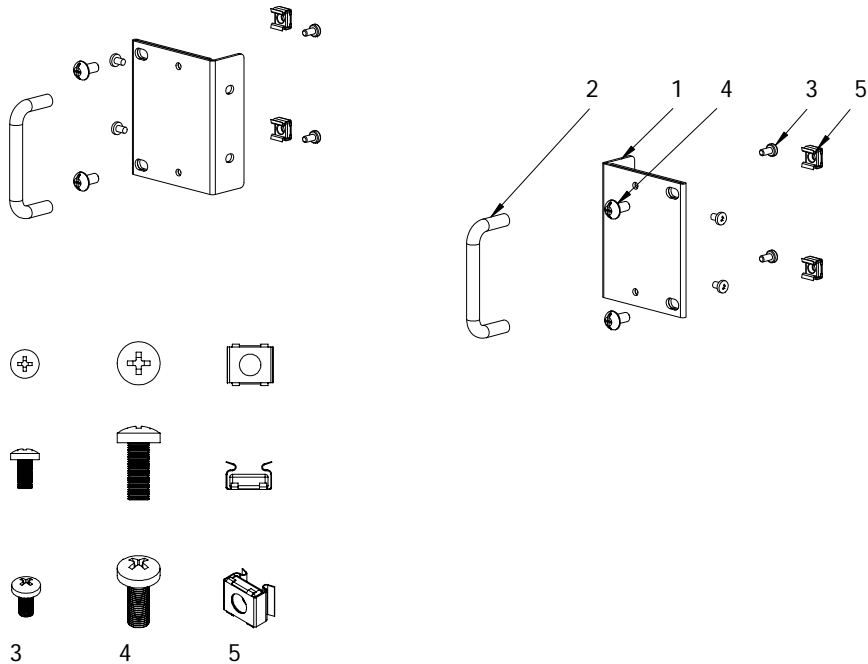
# RIGOL

## DSG3000 Rack Mount Kit

This rack mount kit is designed to mount **RIGOL** DSG3000 series RF signal generator into a 19-inch cabinet that conforms to the Electronic Industries Association (EIA) standard.

### Kit Part Checklist

No.	Name	Qty.	Description
1	Fastener	2	--
2	Rack Handle	2	--
3	M4 Screw	8	M4 x 8 Phillips Pan Head Screw
4	M6 Screw	4	M6 x 16 Phillips Pan Head Screw
5	M6 Nut	4	M6 Square Lock Cage Nut



### Installation Tool

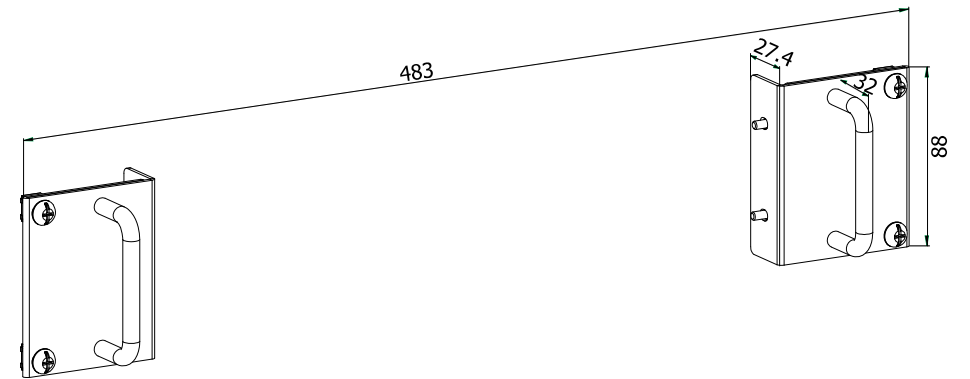
The PH2 Philips screwdriver is recommended.

### Space Requirements

To mount the instrument into the cabinet correctly, please ensure that the following requirements are met.

- The cabinet must be a standard 19-inch one.
- The available height of the cabinet should be at least 2U (88.9 mm).
- The depth of the cabinet should be at least 450 mm.

The dimensions of the rack are as shown below.



Unit: mm

### Installation Procedures

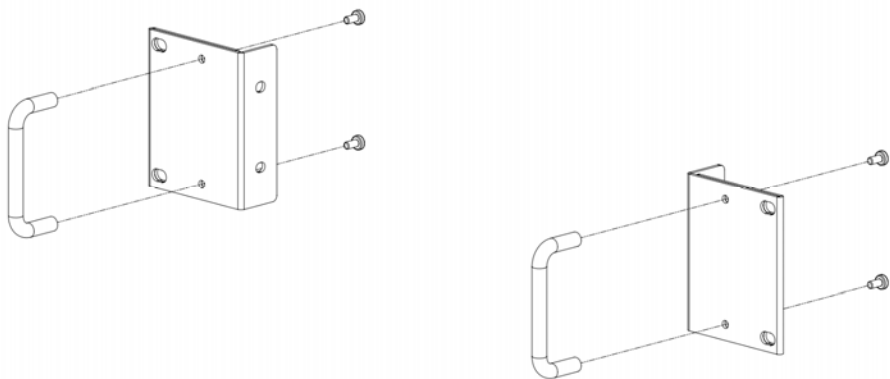


#### CAUTION

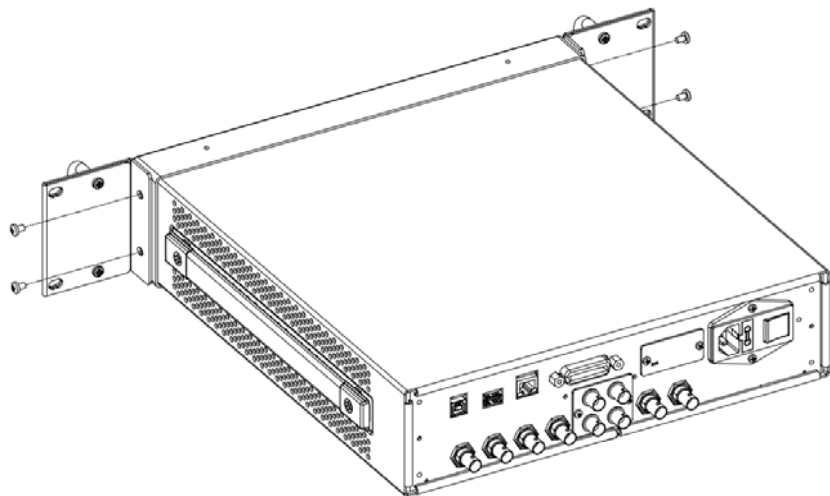
Only authorized operators are allowed to perform the installation. Improper installation might cause damage to the instrument or an installation failure.

**1. Mount the rack handle**

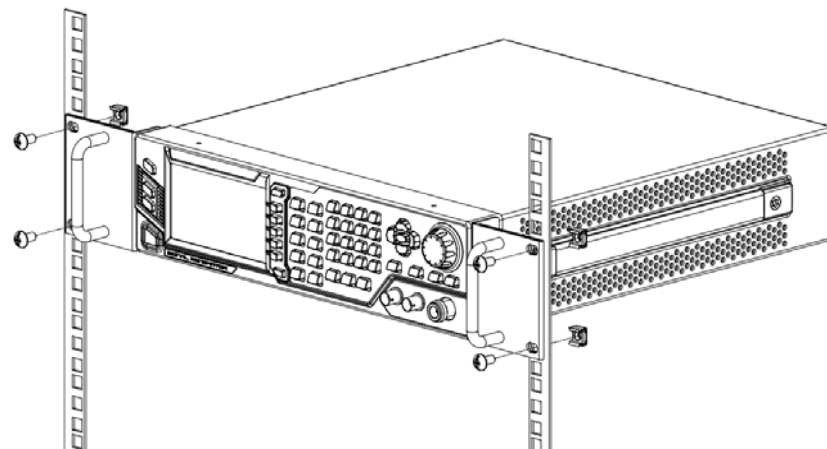
Attach two rack handles to two fasteners respectively, and secure them with four M4 screws.

**2. Mount the fastener**

Attach two fasteners to both sides of the front panel, then secure the fasteners with four M4 screws.

**3. Get encased in the cabinet**

Mount the assembled instrument and rack into a standard 19-inch cabinet using four M6 screws and four M6 square nuts.



-End-